

H15 - Ratchet Hand Tool

H38-15 Portable Air Tool



TOOL WARRANTY

Electro-Term/Hollingsworth tools are warranted to be free from defects in material and workmanship under normal use and service. This warranty does not cover defects or damage arising from improper installation, lack of or improper maintenance, improper storage, shipping and handling, or ordinary wear and tear, misuse, abuse, accident, unauthorized service, or use with unauthorized products or parts.

Our obligation under this warranty is limited to the replacement of the product. We are not bound by any other warranty, expressed, implied, or statutory. Under no circumstances are we liable for any loss, damage, expenses, or consequential damages of any kind arising out of the use or inability to use these products. All are sold with the understanding that the user will test them in actual use and determine their adaptability for the intended uses.

TOOL POLICY

A One-Year parts and labor guarantee shall be extended on all hand ratchet and pneumatic tools. Tooling must be sent back to Electro-Term/Hollingsworth for all repairs, recalibrations, and recertification.

Operating Instructions - 956223

H15 Ratchet Hand Tool H38-15 Portable Air Tool

Description

- H15 The H15 Ratchet Hand Tool is a non-butting tool equipped with a ratchet mechanism that ensures a full cycle crimp. Upon completion of the crimp, the ratchet will release, allowing the tool to open.
- H38-15 The H38-15 Portable Air Tool is also a non-butting tool, similar to the H15. Clean, dry lubricated air at a pressure of 85-100 p.s.i. should be supplied to the tool through a hose terminating in a 1/8" NPT female fitting.

A slide-in safety latch is provided to lock the air valve trigger bar in the safe position when the tool is not in use.

Either hand-held or bench-mounted operation is possible. When hand held, a trigger (handle) bar is pressed to crimp. When bench mounted, a remote control foot pedal is used instead of the trigger bar.

Terminal Locator

Both the H15 and the H38-15 come equipped with a locator to assist in the correct positioning of pigtail connectors for crimping. (See Fig. 1)

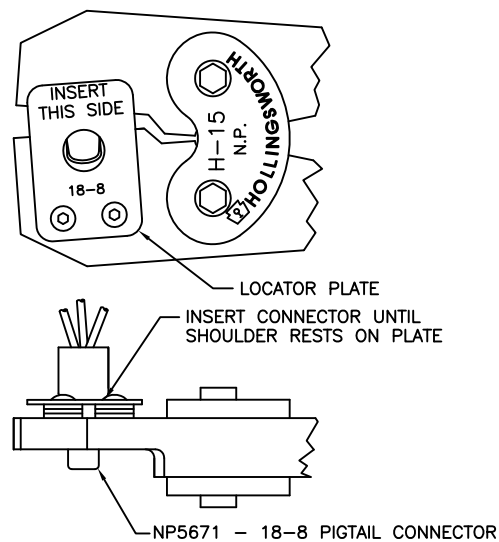


FIG. 1

Product Application

The H15 and the H38-15 crimping tools are used to crimp 18-8 AWG nylon pigtail connectors, P/N NP5671.

Stripping Recommendations

Strip wire $5/8" \pm 1/32"$ long

Crimp Procedure For Pigtail Connectors

1. Inset the pigtail connector through the hole in the locator plate, making sure that the shoulder of the connector is resting on the locator plate. (See Fig. 1)
2. Close the tool jaws until the connector is held snugly in place.
3. Insert the stripped combination of wires into the connector. (See Fig. 1)
- 4A. H15
Complete the crimp by closing the handles completely. This will disengage the ratchet mechanism, allowing the tool to open for the removal of the crimped connector.
- 4B. H38-15
Complete the crimp by pressing the trigger bar. Release the trigger bar to open the tool for the removal of the crimped connector.

Maintenance

Lubricate all pins and pivot points every 4,000 to 5,000 crimps. Use a silicone or graphite based grease or any good grade S.A.E. No. 20 motor oil.